

CONNECTION TO A RGB OUTPUT FROM COMPUTER

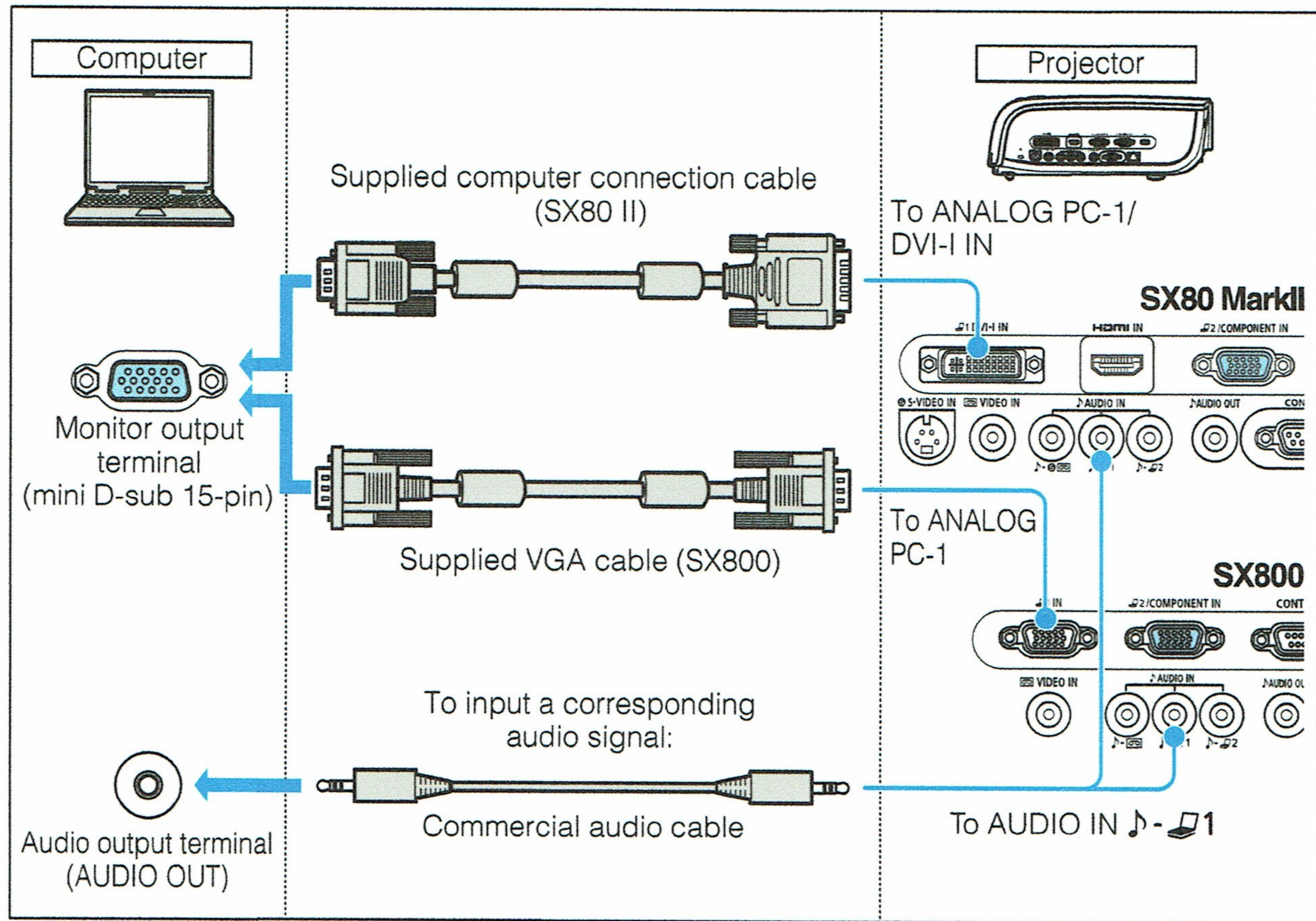
Connecting the Projector to the Computer

Connect the projector to the computer.

Before connecting the cables, turn off both the projector and computer.

■ Connecting to RGB Monitor Output Terminal (analog connection)

Supplied computer connection cable (Input signal type: [ANALOG PC-1] - P54)



Use an audio cable without a built-in resistor. Using an audio cable with a built-in resistor turns down the sound.